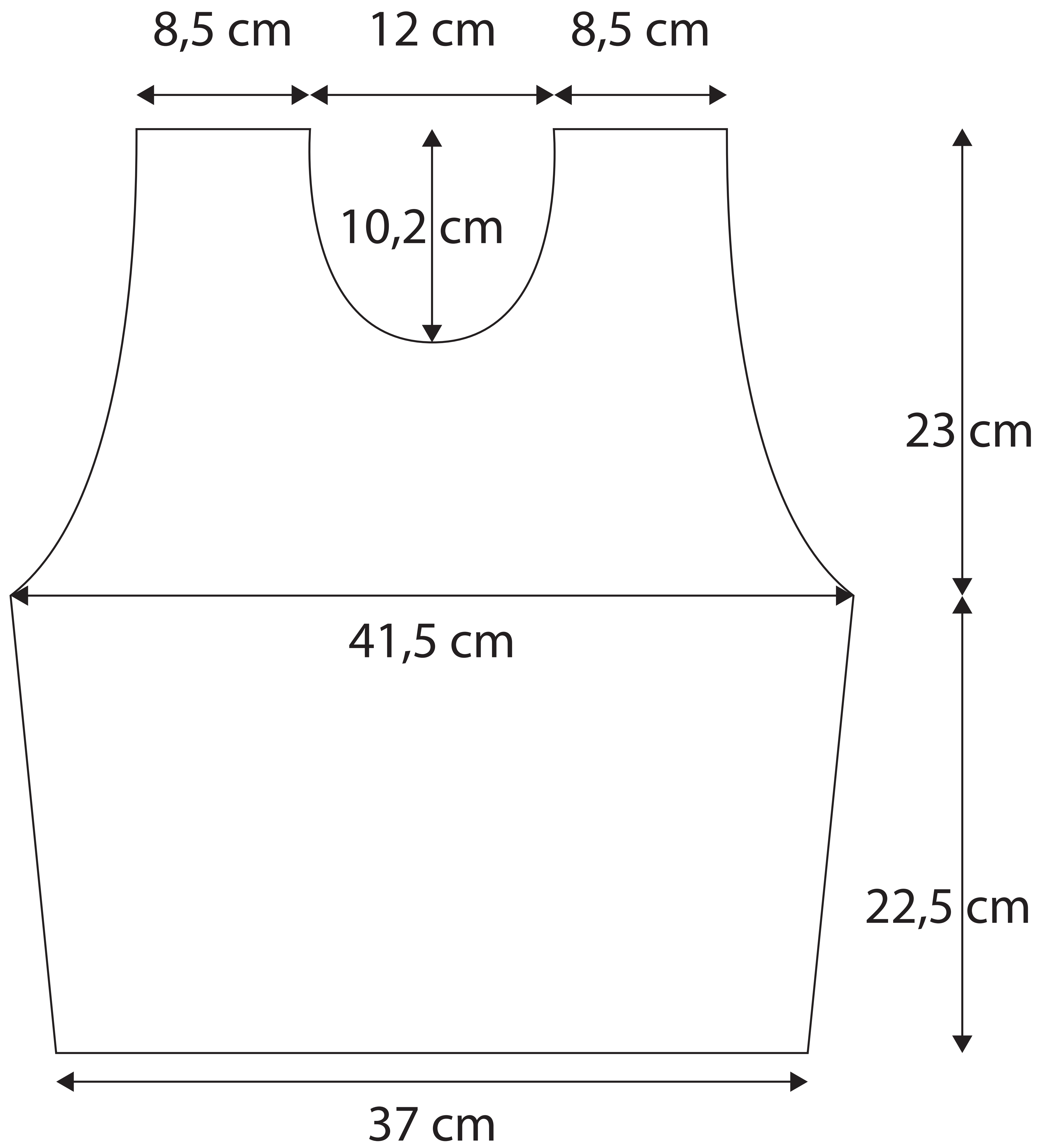
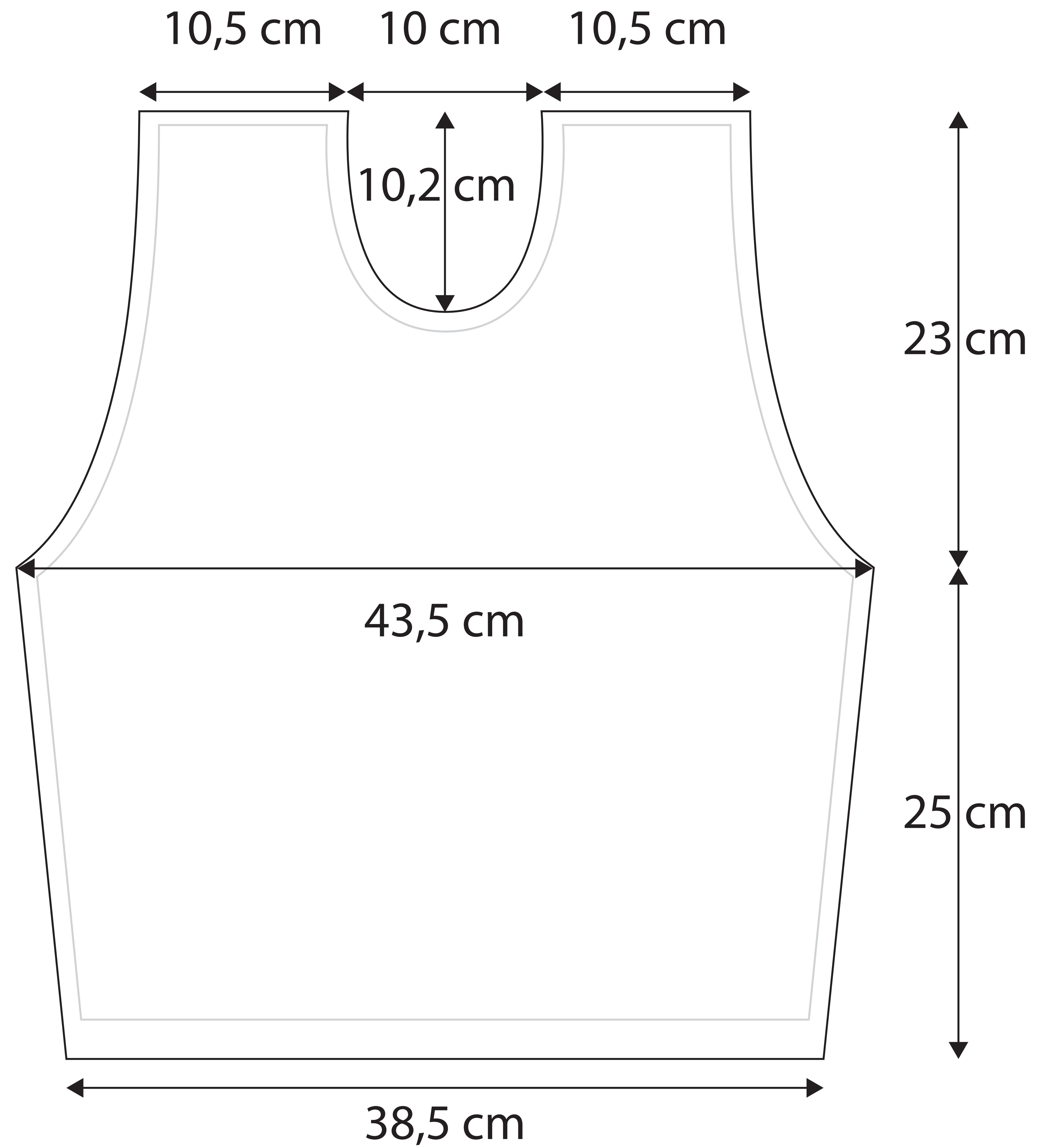


FIS SIZE - Cross-Country - Women



Final product



With seam allowance