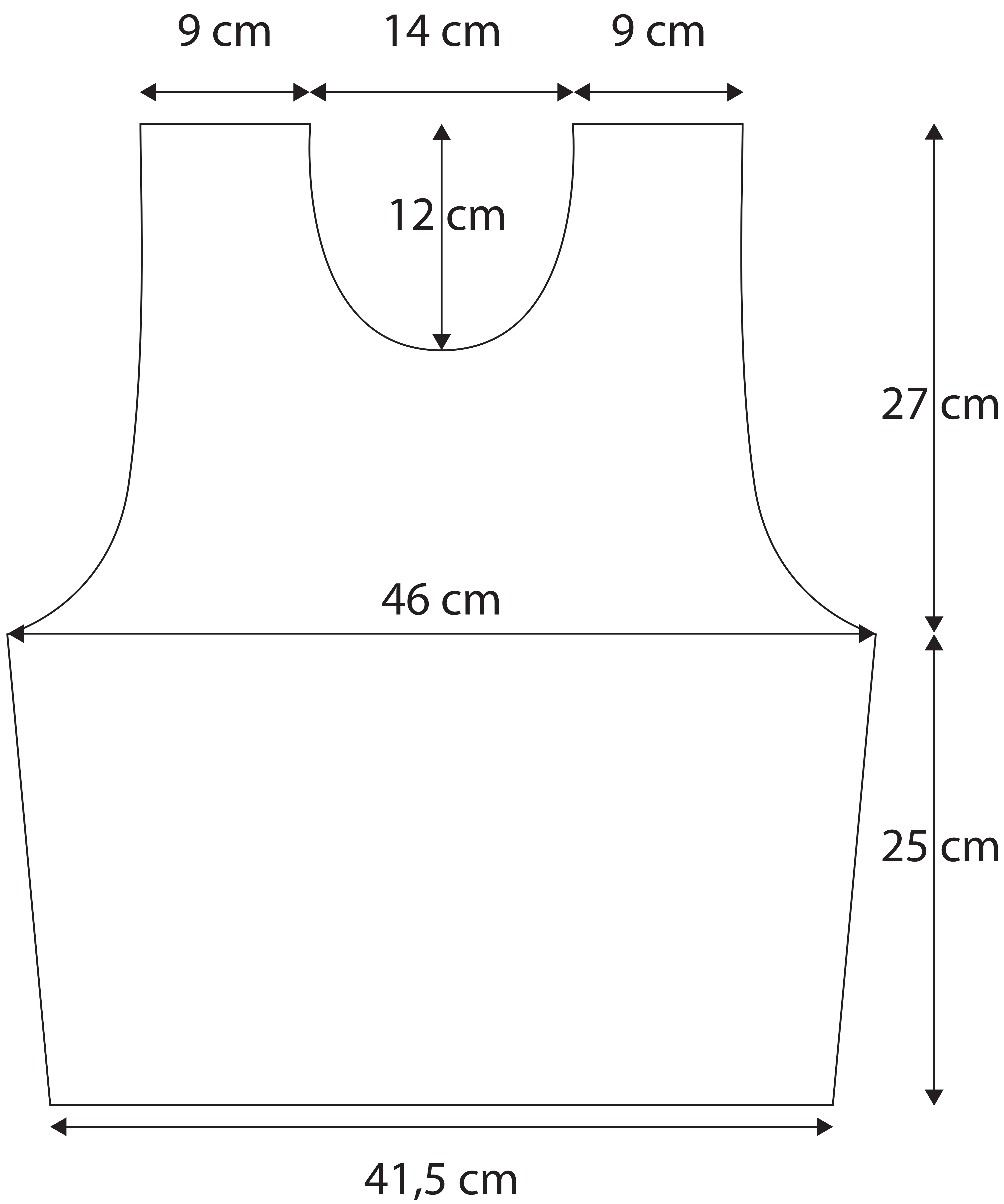
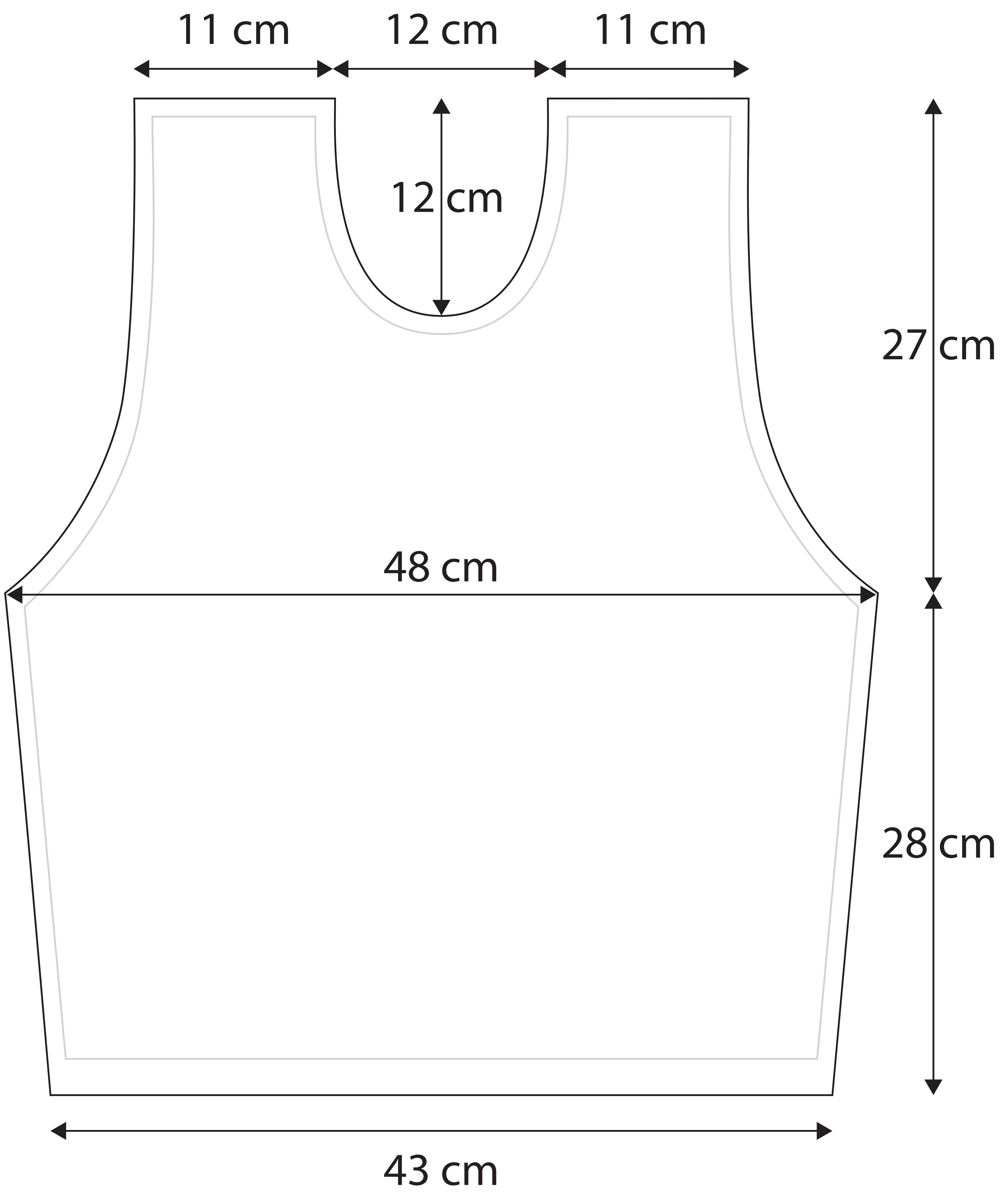


FIS SIZE - Cross-Country - Men



Final product



With seam allowance